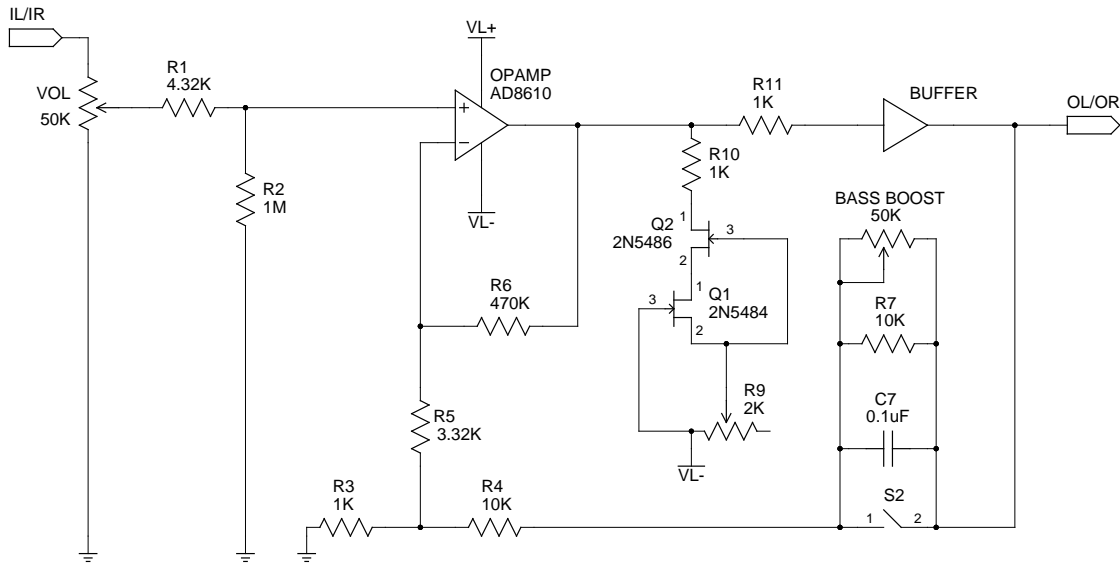
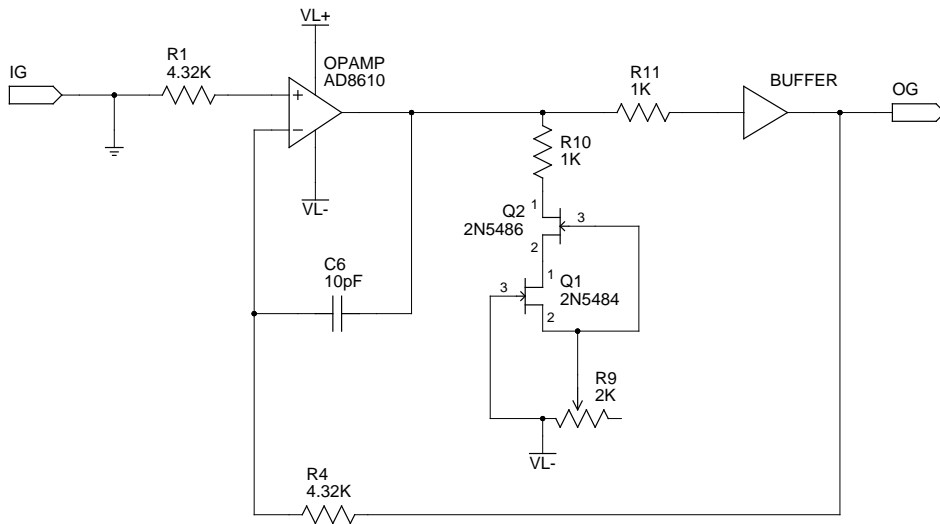


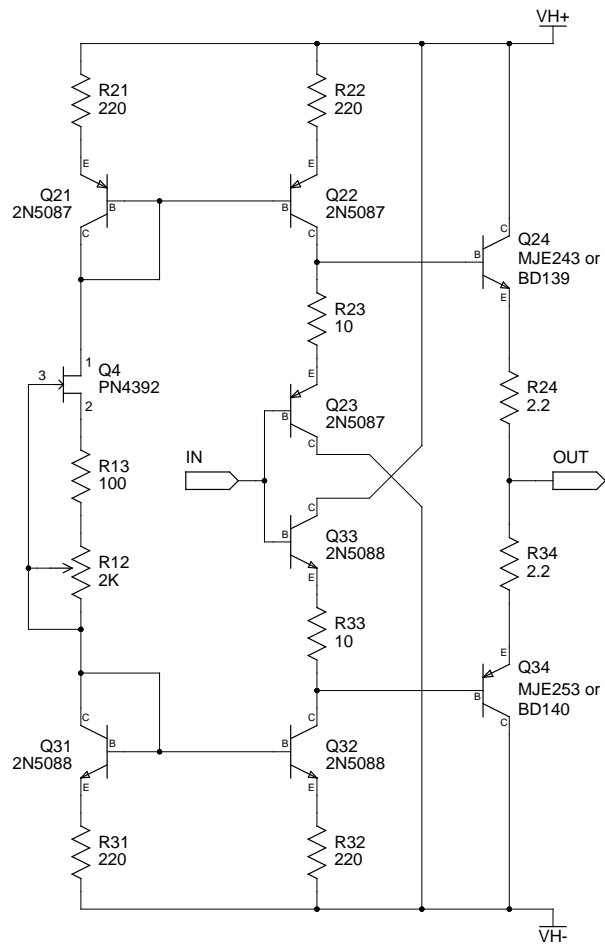
LEFT AND RIGHT CHANNELS



GROUND CHANNEL

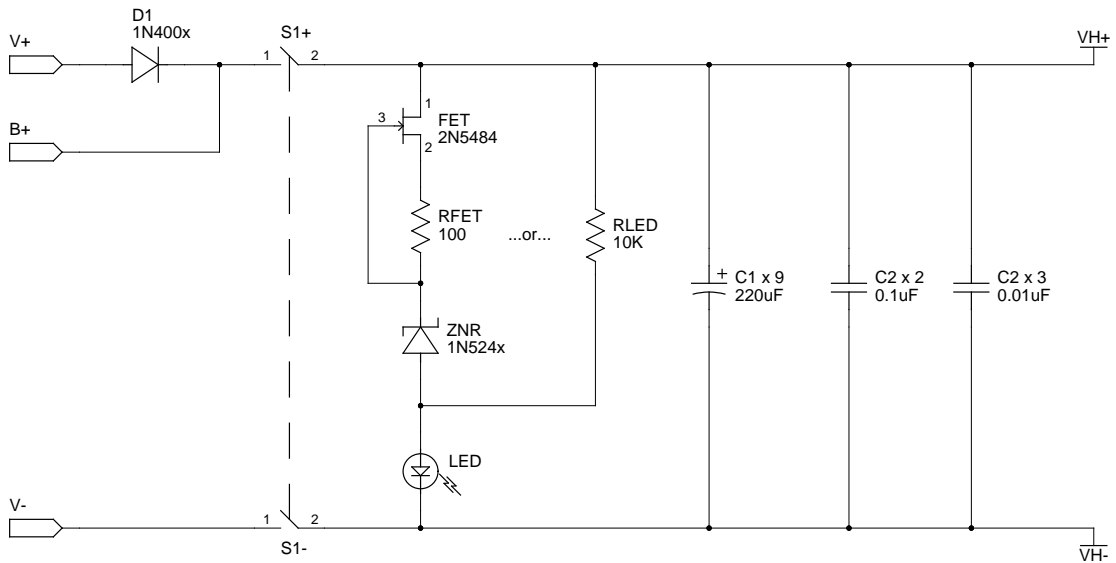


TITLE	PPA Amp Channels http://tangentsoft.net/audio/ppa/		
DATE	\$Date: 2005-03-16 02:05:26 -0700 (Wed, 16 Mar 2005) \$		
PAGE	1	OF	3
	\$Revision: 3972 \$		FOR PCB: v2.0

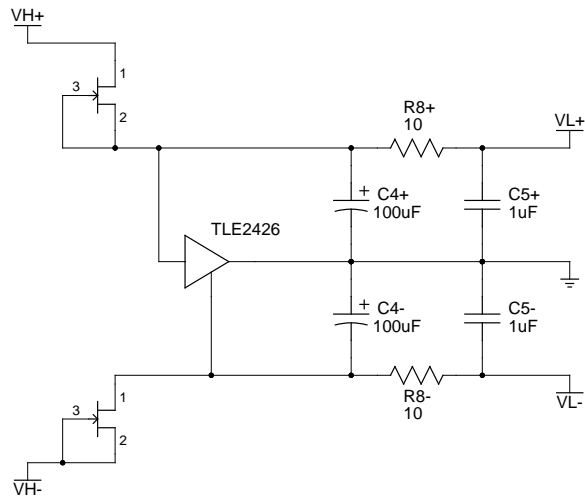


TITLE		PPA Buffers	
		http://tangentsoft.net/audio/ppa/	
DATE \$Date: 2005-03-16 00:56:54 -0700 (Wed, 16 Mar 2005) \$			
PAGE 2	OF 3	\$Revision: 3968 \$	FOR PCB: v2.0

HIGH-CURRENT POWER SECTION (FOR BUFFERS)



LOW-CURRENT POWER SECTION (ONE FOR EACH OP-AMP)



TITLE

PPA Power Supplies

<http://tangentsoft.net/audio/ppa/>

DATE \$Date: 2005-03-16 02:05:26 -0700 (Wed, 16 Mar 2005) \$

PAGE 3 OF 3

\$Revision: 3972 \$

FOR PCB: v2.0