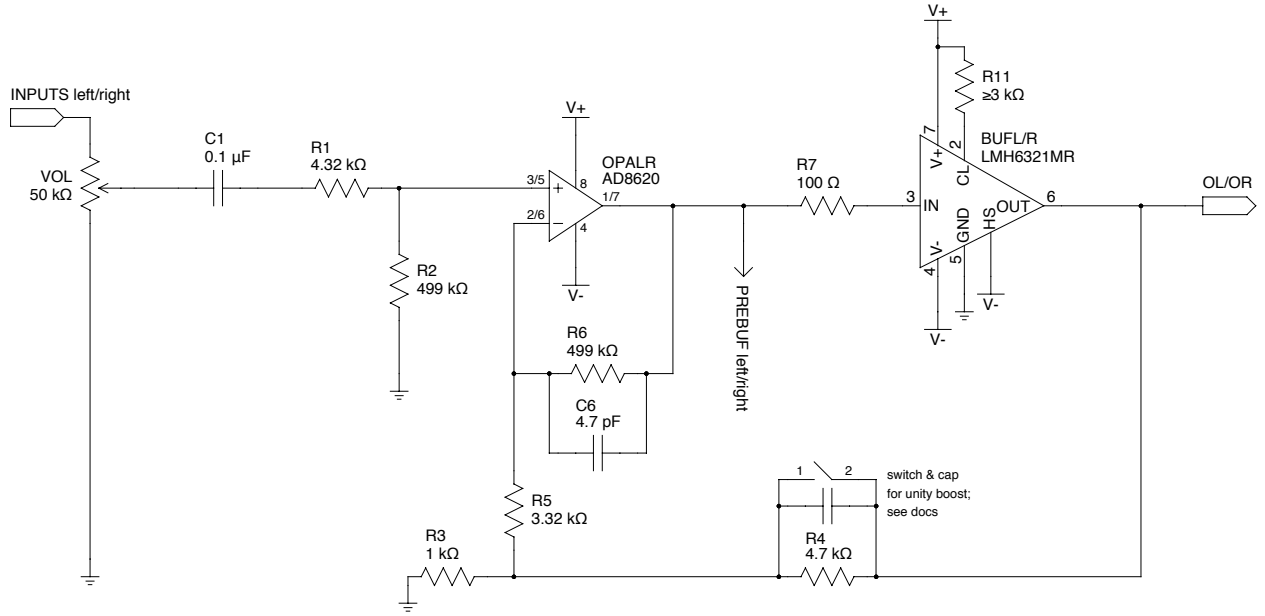
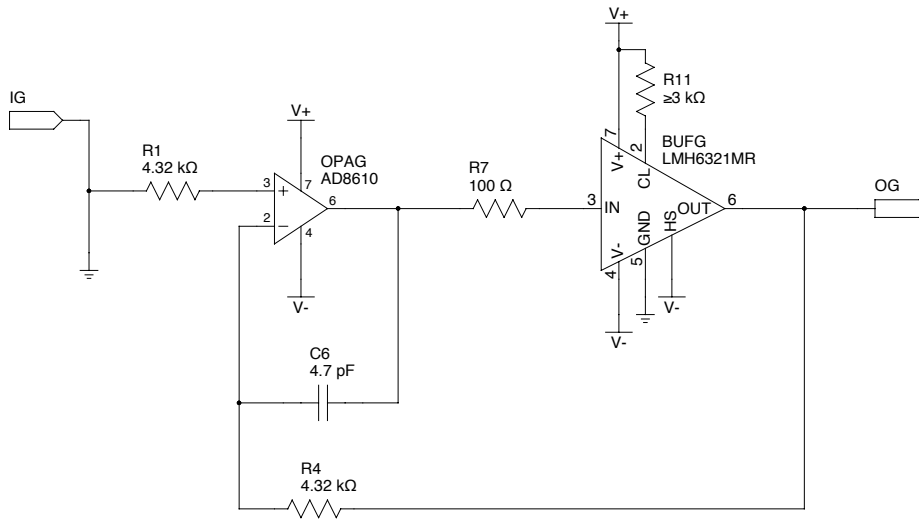


LEFT AND RIGHT CHANNELS

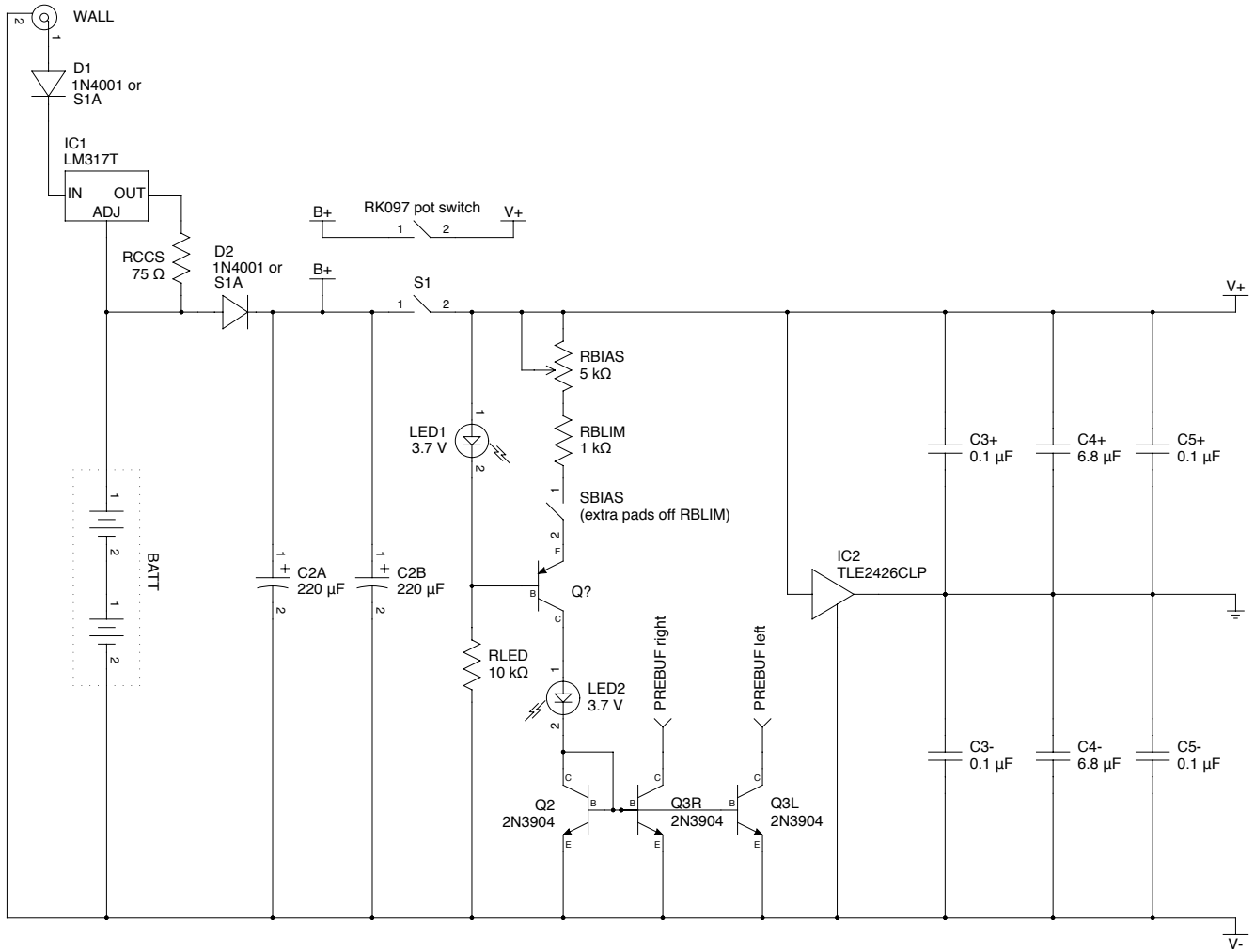


GROUND CHANNEL



TITLE PIMETA v2 Headphone Amplifier: Amp Channels		
FILE: \$Id: pimeta-v2-amp.gsch 7014 2011-05-02 19:26:39Z tangent \$		
DATE 2011.05.02	REVISION: \$Revision: 7014 \$ for PCB v2.01	
PAGE 1 OF 2	DRAWN BY: Warren Young	
URL http://tangentsoft.net/audio/pimeta2/		

POWER SUPPLY



TITLE PIMETA v2 Headphone Amplifier: Power Supply Section		
FILE: \$Id: pimeta-v2-power.gsch 6783 2010-05-02 04:46:53Z tangent \$		
DATE 2010.06.14	REVISION: \$Revision: 6783 \$ for PCB v2.01	
PAGE 2	OF 2	DRAWN BY: Warren Young
URL http://tangentsoft.net/audio/pimeta2/		