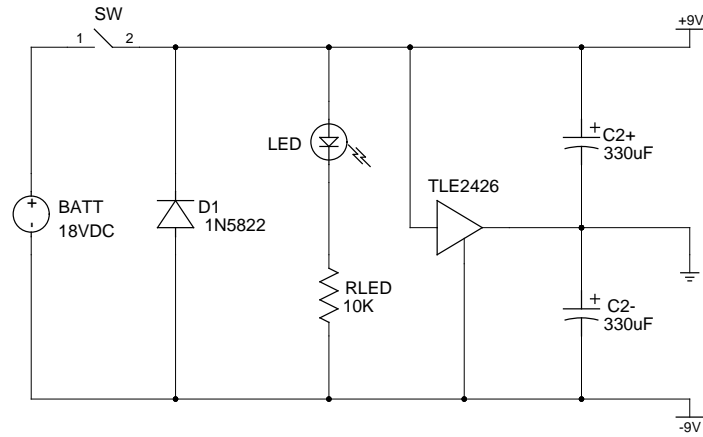
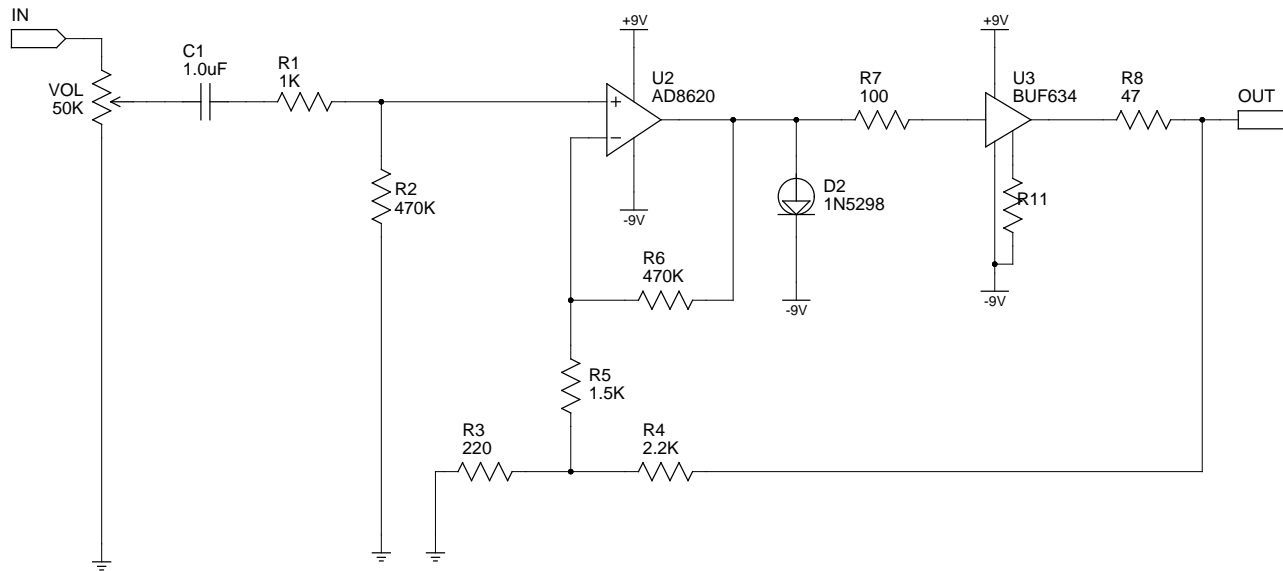


### POWER SECTION



### AMPLIFIER SECTION



TITLE	MINT	<a href="http://tangentsoft.net/audio/mint/">http://tangentsoft.net/audio/mint/</a>
FILE:	\$Source: /usr/local/cvsroot/docs/audio/mint/mint-gschem.sch,v \$	
DATE	\$Date: 2003/03/31 14:02:34 \$	REVISION: \$Revision: 1.1 \$ for PCB v1.01
PAGE	1	OF 1
		DRAWN BY: \$Author: tangent \$