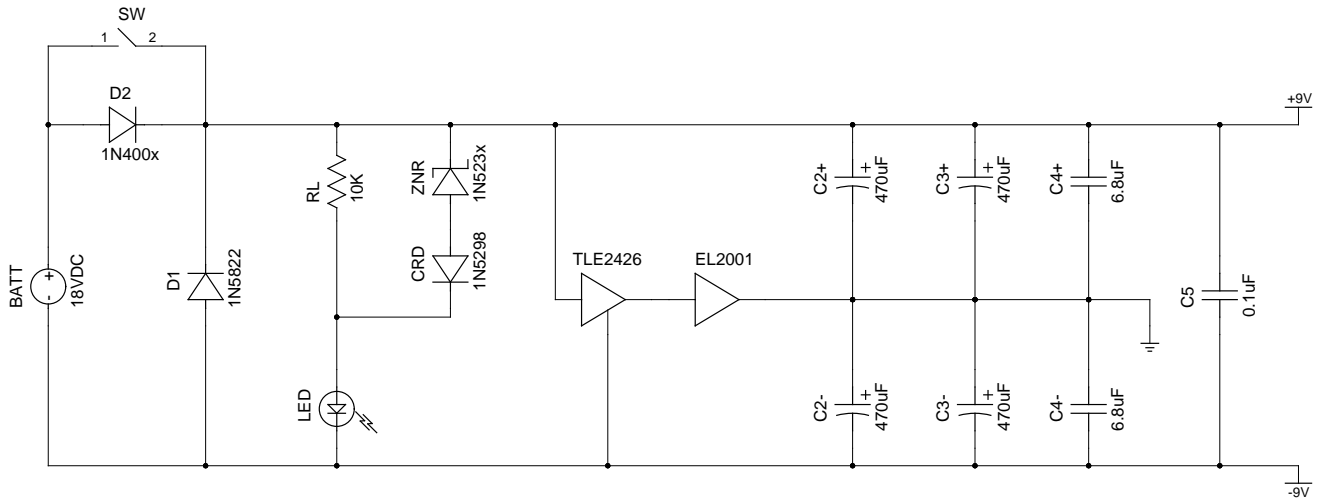
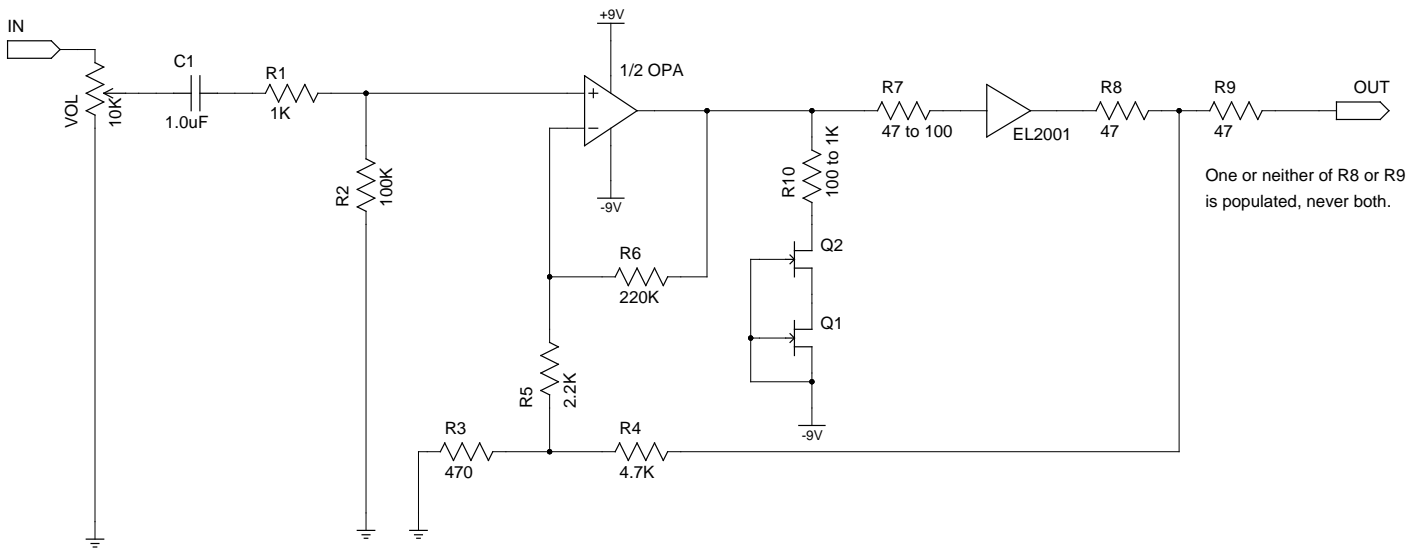


POWER SECTION



AMPLIFIER SECTION



TITLE META42		http://tangentsoft.net/audio/meta42/	
FILE: \$Source: /usr/local/cvsroot/docs/audio/meta42/meta42-gschem.sch.v \$			
DATE \$Date: 2002/11/20 00:22:35 \$	REVISION: \$Revision: 2.2 \$	for PCB v2.1	
PAGE 1	OF 1	DRAWN BY: \$Author: tangent \$	