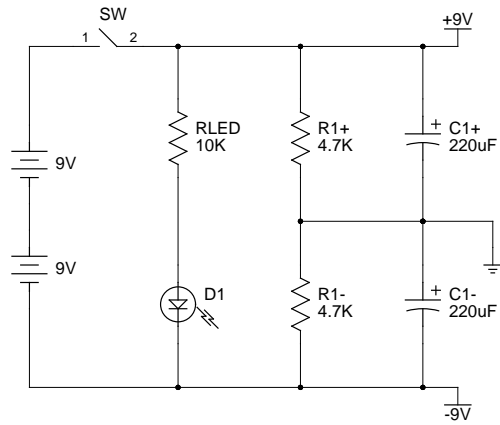
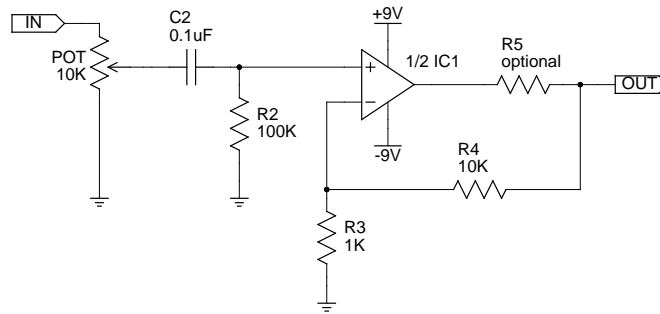


### POWER SECTION



### AMPLIFIER SECTION



(ONLY ONE CHANNEL SHOWN; DUPLICATE EVERYTHING FOR SECOND CHANNEL)

|       |  |    |              |
|-------|--|----|--------------|
| TITLE | CMoy Pocket Amplifier<br><a href="http://tangentsoft.net/audio/cmoy-tutorial/">http://tangentsoft.net/audio/cmoy-tutorial/</a> |    |              |
| DATE  | \$Date: 2005-04-09 12:20:16 -0600 (Sat, 09 Apr 2005) \$  |    |              |
| PAGE  | 1  | OF | 1            |
|       | \$Revision: 4061 \$  |    | FOR PCB: n/a |